



AS1428.1  
ACCESSIBLE  
CARE  
COMPLIANT



AS1428.1  
AMBULANT  
COMPLIANT

# CARE + CASEY CONNECTOR

---





AS1428.1  
ACCESSIBLE  
CARE  
COMPLIANT



AS1428.1  
AMBULANT  
COMPLIANT

# CARE + CASEY CONNECTOR

## EASE OF CLEANING

VITREOUS CHINA  
CISTERN



RAISED HEIGHT PAN

RIMLESS  
INTERNAL PAN  
RIM



450MM HIGH TO  
TOP OF PAN



### SUITE INCLUDES:

CHROME RAISED BUTTON,  
VC CISTERN,  
STAINLESS STEEL FLUSHPIPE,  
SKIRTED PAN,  
SINGLE FLAP SEAT

- WITH **BLUE** SEAT
- WITH GREY SEAT
- CODE 1654722
- CODE 1654723

- CONNECTOR SUITE
- VITREOUS CHINA CISTERN
- ROUND CHROME RAISED HEIGHT BUTTON
- 4 STAR WELS 3L
- RIMLESS RIM PAN FOR EASE OF CLEANING

- 310MM PREFERRED SETOUT
- BTM WATER INLET CISTERN
- SINGLE FLAP SEAT
- STAINLESS STEEL FLUSHPIPE

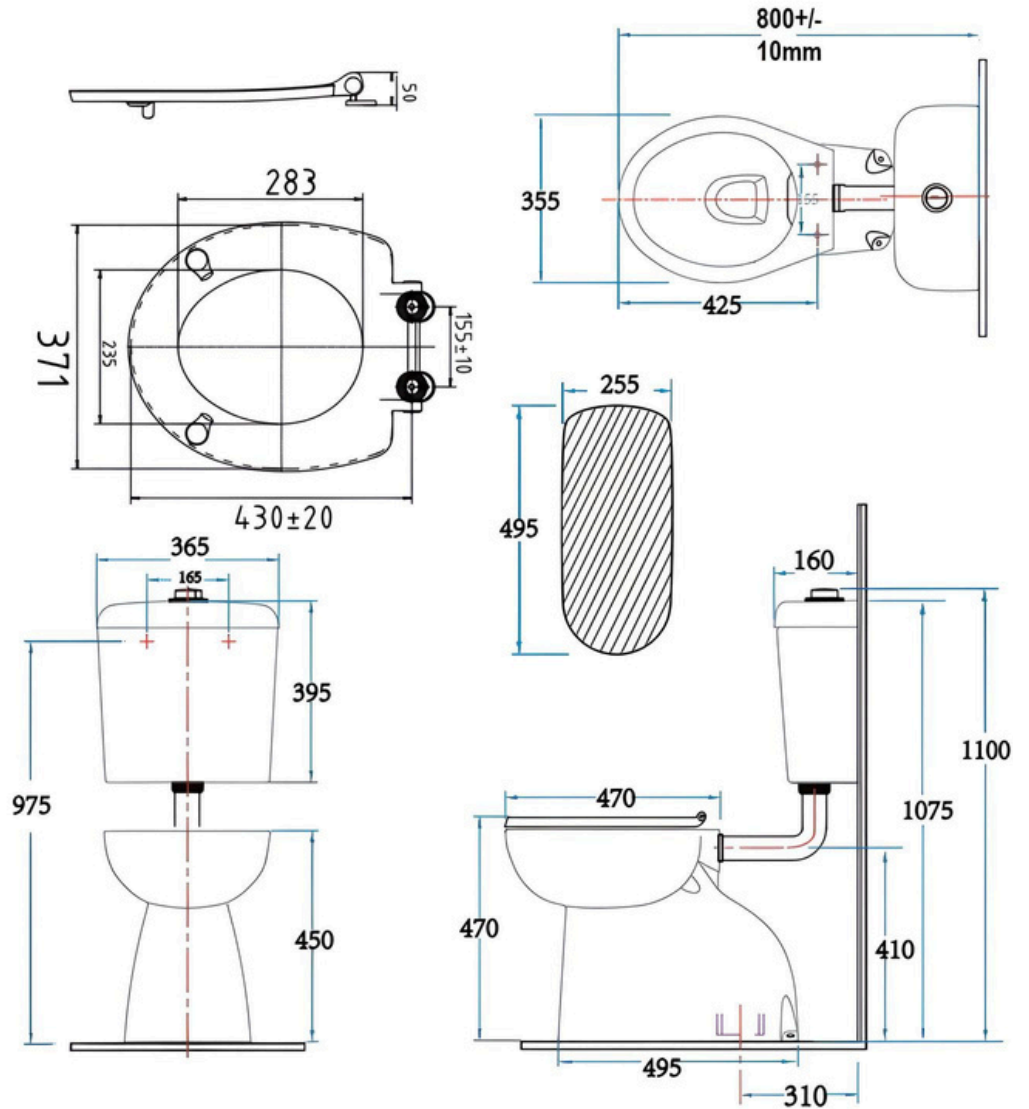
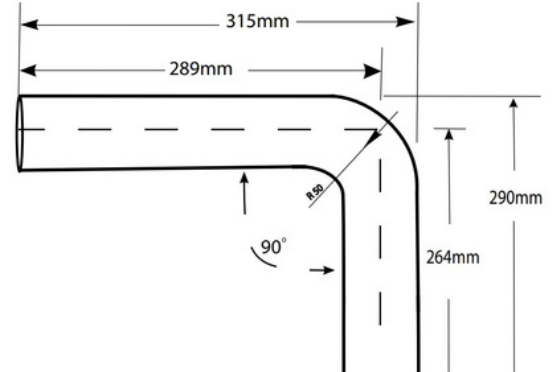


AS1428.1  
ACCESSIBLE  
CARE  
COMPLIANT



AS1428.1  
AMBULANT  
COMPLIANT

# CARE + CASEY CONNECTOR



**SUITE INCLUDES:**

CHROME RAISED BUTTON,  
VC CISTERN,  
STAINLESS STEEL FLUSHPIPE,  
SKIRTED PAN,  
SINGLE FLAP SEAT

- WITH **BLUE** SEAT
- CODE 1654722

- WITH **GREY** SEAT
- CODE 1654723