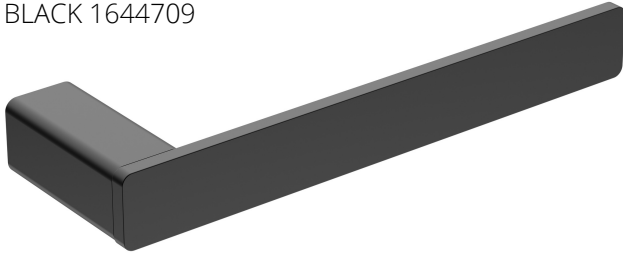
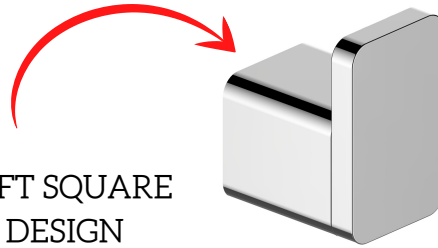


# HAMEL

HAND TOWEL HOLDER  
CHROME 1644698  
BLACK 1644709

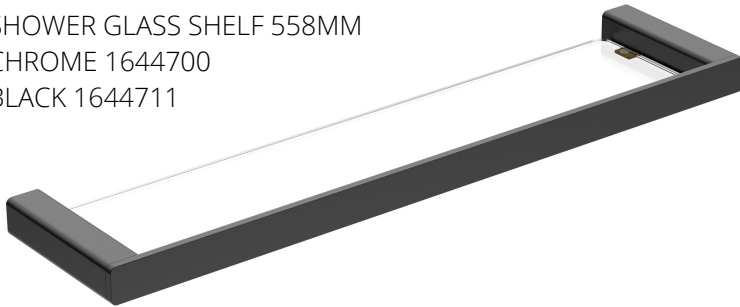


SOFT SQUARE  
DESIGN



ROBE HOOK  
CHROME 1644699  
BLACK 1644710

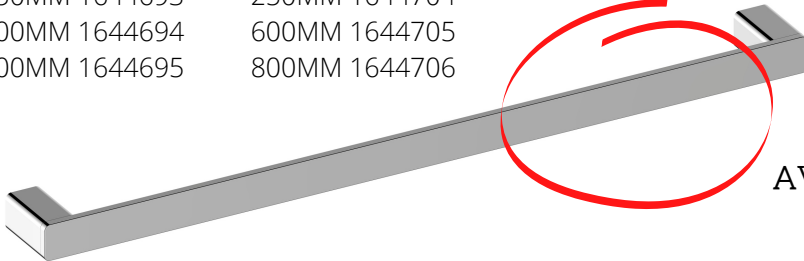
SHOWER GLASS SHELF 558MM  
CHROME 1644700  
BLACK 1644711



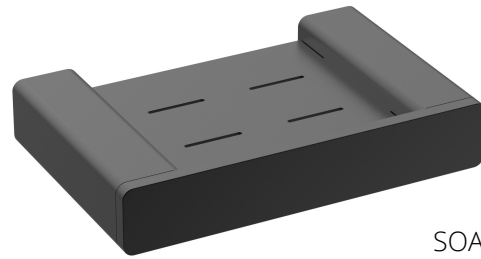
TOILET ROLL HOLDER  
CHROME 1644703  
BLACK 1644714

CHROME SINGLE  
TOWEL RAIL  
250MM 1644693  
600MM 1644694  
800MM 1644695

BLACK SINGLE  
TOWEL RAIL  
250MM 1644704  
600MM 1644705  
800MM 1644706



AVAILABLE IN  
3 WIDTHS



SOAP HOLDER  
CHROME 1644702  
BLACK 1644713

CHROME DOUBLE  
TOWEL RAIL  
600MM 1644696  
800MM 1644697

BLACK DOUBLE  
TOWEL RAIL  
600MM 1644707  
800MM 1644708



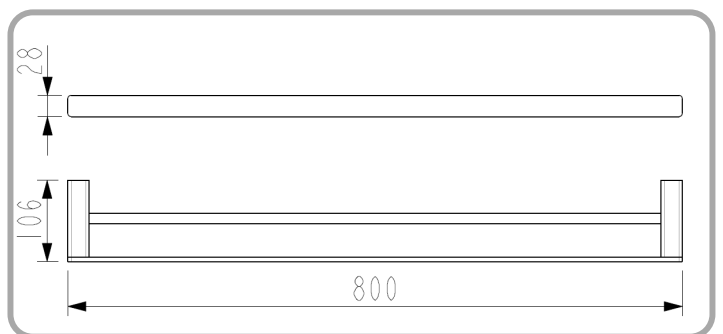
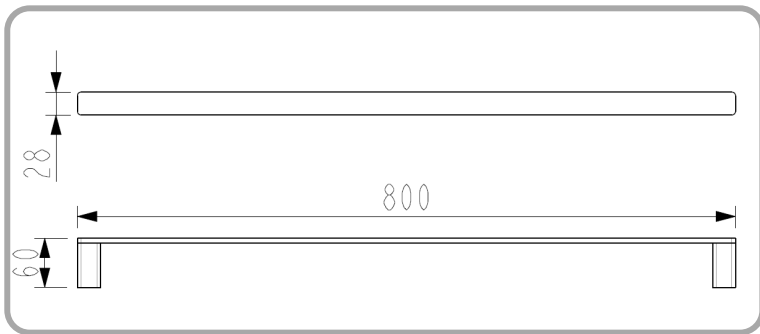
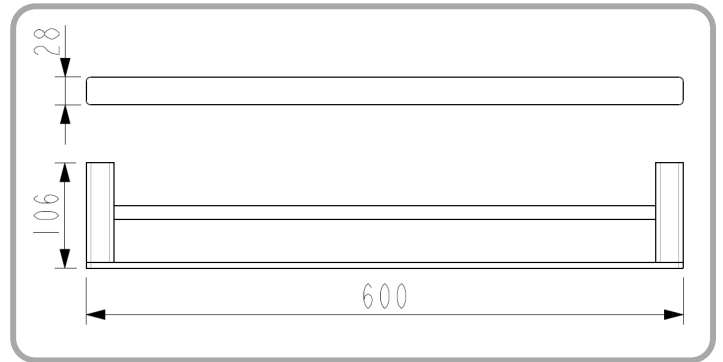
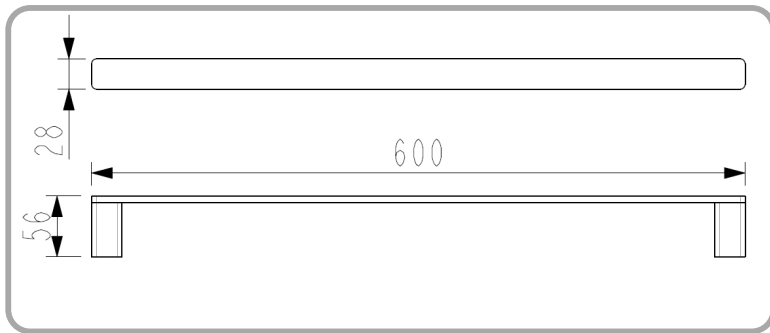
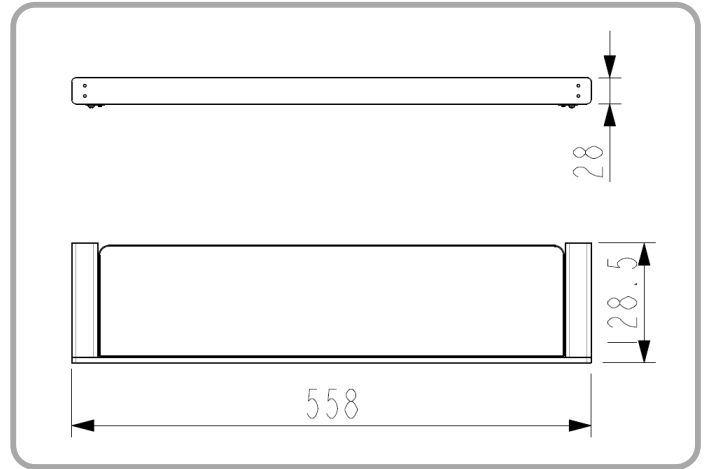
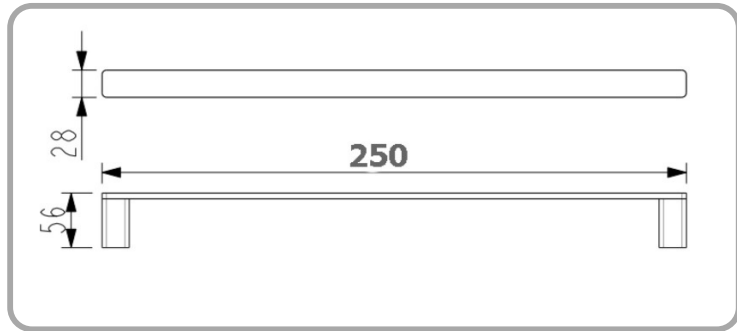
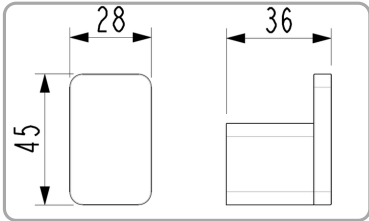
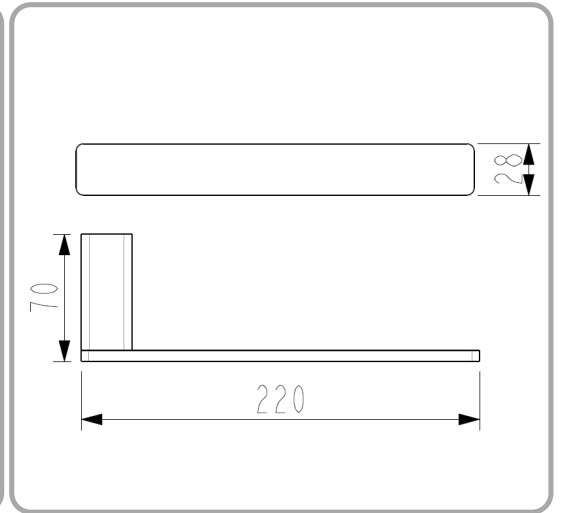
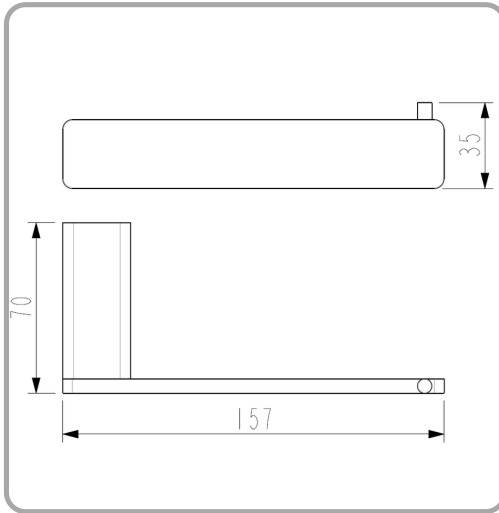
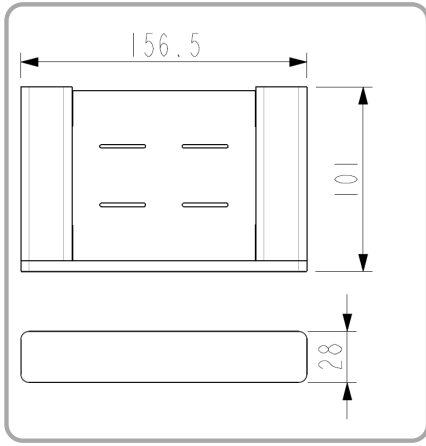
TOILET BRUSH &  
GLASS HOLDER  
CHROME 1644701  
BLACK 1644712



- PREMIUM BRASS CONSTRUCTION FOR DURABILITY
- 15 YEARS PRODUCT REPLACEMENT
- MODERN SOFT SQUARE DESIGN
- BRIGHT CHROME OR MATTE BLACK

- Dimensions are subject to manufacturing variations.
- Cob & Pen reserves the right to vary specifications at any time without notice. Information provided within this specification sheet is correct as the date of creating.
- Please confirm all dimensions with the sales consultant prior to purchasing.
- For ceramic items please allow +/- variations
- Only do cut outs from actual item

# HAMEL



- Dimensions are subject to manufacturing variations.
- Cob & Pen reserves the right to vary specifications at any time without notice. Information provided within this specification sheet is correct as the date of creating.
- Please confirm all dimensions with the sales consultant prior to purchasing.
- For ceramic items please allow +/- variations
- Only do cut outs from actual item