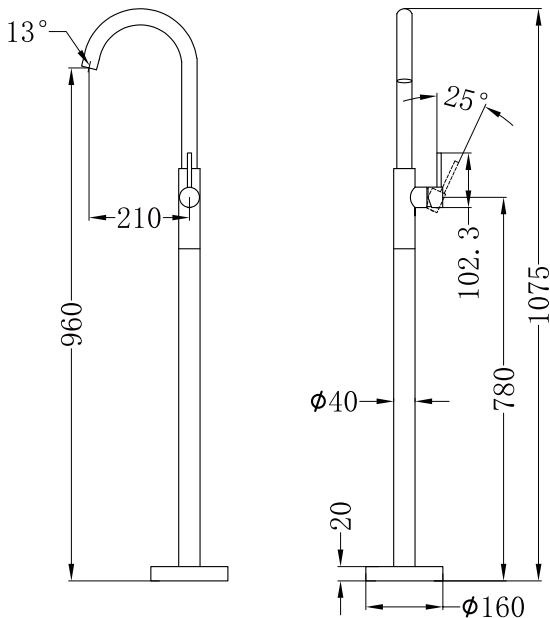
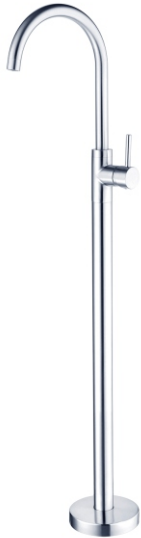


Free Standing Bath Spout











Dimensions are nominal measurements only.

SPECIFICATION

PRODUCT CODE	YSW2109-03A-01
WELS RATING	N/A
WATERMARK LICENSE	WM-060073
TEMPERATURE RATING	MIN 1°C-MAX 75°C
PRESSURE RATING	MIN 150KPa-MAX 500KPa

FINISH

	CHROME NR210903a01CH		MATTE BLACK NR210903a01MB
	GUN METAL NR210903a01GM		BRUSHED NICKEL NR210903a01BN
	BRUSHED GOLD NR210903a01BG		BRUSHED BRONZE NR210903a01BZ
	GRAPHITE NR210903a01GR		MATTE WHITE NR210903a01MW

MAINTENANCE AND CARE

All surfaces should be cleaned with mild liquid detergent or soap and water.

Do not use cream cleaners or citrus based cleaning products, as they are abrasive.

Use of unsuitable cleaning agents may damage the surface. Any damage caused in this way will not be covered by warranty.

PACKING INCLUDES

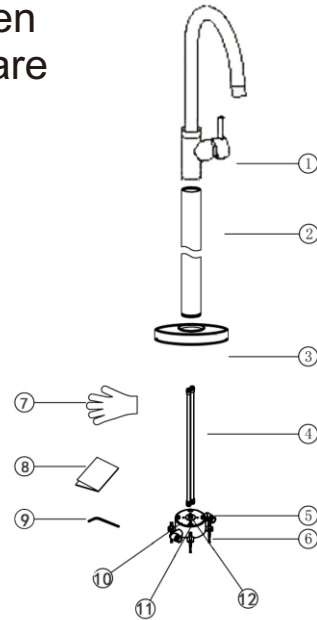
- 1x mixer tap
- 1x extension tube
- 1x floor cover plate
- 2x water pipes
- 1x mixer box
- 1x gloves
- 4x dynabolt
- 1x instruction
- 1x allen key pack
- 1x leveling plate
- 1x gradiometer
- 1x testing plugs

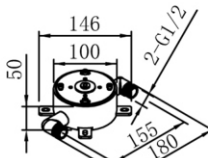

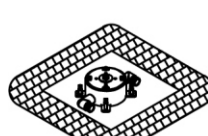
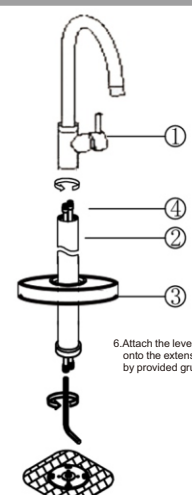
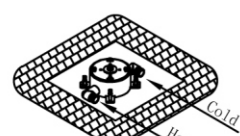

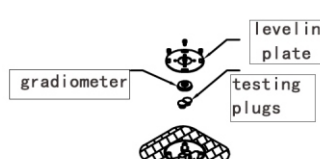
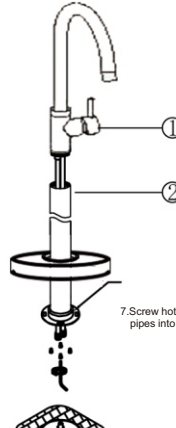
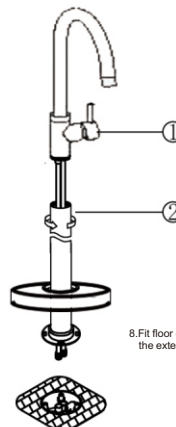
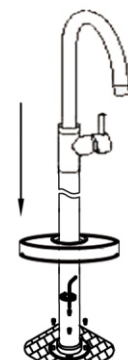


Installation Instruction

Please inspection all spare parts list when you open box,if any problem,please contract with seller. Spare parts list as follow.

Item	Parts Name	QTY
1	Mixer Tap	1
2	Extension Tube	1
3	Floor Cover Plate	1
4	Water Pipes	2
5	Mixer Box	1
6	Dynabolt	4
7	Gloves	1
8	Instruction	1
9	Allen Key Pack	1
10	Leveling Plate	1
11	Gradiometer	1
12	Testing Plugs	1



<p>Notice: Not recommend to be installed on concrete slab</p> 	<p>1.Mixer box should not finish more than 2mm above finish tile level</p> 	<p>2.Connect hot and cold water use materials recommended Australian standard</p> 	 <p>6.Attach the leveling plate onto the extension tube by provided grub screws</p>
<p>3.Adjust mixer box make sure in a level by gradiometer provided</p> 	<p>4.Test and check for water leaks</p> 	<p>5.Undo 4 grub screws on the leveling plate and take out the gradiometer and testing plug.</p> 	
 <p>7.Screw hot and cold water pipes into the mixer body</p>	 <p>8.Fit floor cover plate onto the extension tube</p>	 <p>9.Screw the extension tube onto the mixer, and fix hot and cold water pipers into mixer box by M5 grub screws provided</p>	<p>10.Flush pipes work and test, check for water leaks.</p> 