

Data Sheet: CON Premium



- › CON 10 Premium
- › CON 20 Premium
- › CON 30 Premium



- › Wall mounted convection electric heater
- › Made in Germany
- › Smart controller with backlit LCD and self-learning capability
- › 7 day timer, 120-minute short-time timer, frost protection and open window detection



CON Premium

HEATING WITH STYLE

The CON Premium convection wall heaters offer a unique combination of functionality and aesthetics. The CON Premium enhances its environment not only by providing pleasant heat but also through its elegant design. Featuring a smart control unit, the CON Premium range of room heaters have smart features including a 7-day timer, open window detection and frost/overheat protection.

Model	PREMIUM		
	CON 10 Premium	CON 20 Premium	CON 30 Premium
	202087	202089	202090
Output	kW 1.0	2.0	3.0
Current	A 4.3	8.7	13.0
Connection	1/N/PE ~ 230 V		
Temperature adjustment	°C 5 - 30		
IP Rating	IP24		
Height	mm 470	470	470
Width	mm 470	780	1090
Depth	mm 126	126	126
Weight	kg 5.9	9.3	12.6
Colour	Alpine white		
Installation	Wall mounted		

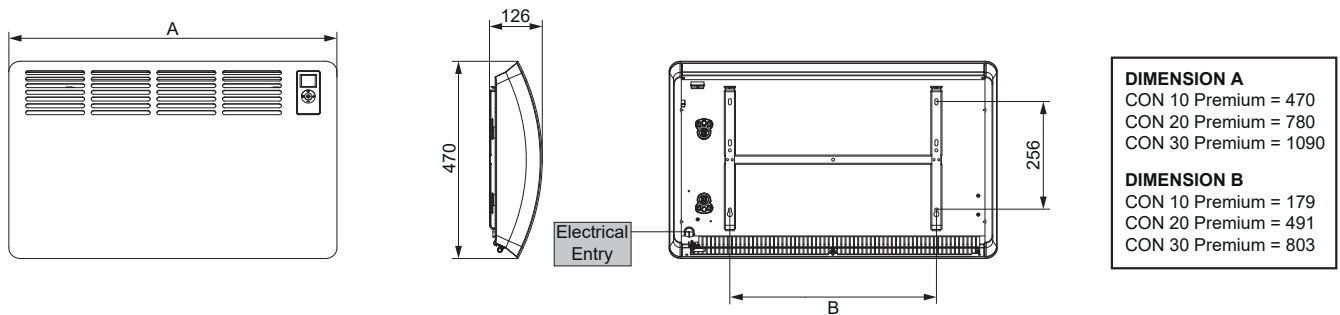


CON Premium



Smart Control Unit

CON Premium Dimensions



STIEBEL ELTRON is committed to our policy of continual improvement, some features may have subsequently been changed or even removed. Our advisors will be happy to consult with you regarding the currently applicable equipment features. The images used in this data sheet are for reference only.