

# Regent Freestanding Bath

Product Code: **RE1700W**



The Regent's classic oval shape is timeless in design. The elegant curves & panel detailing create a traditional look, with modern quality finishes. A stunning addition to any bathroom, this bath can be freely located & is easy to install.

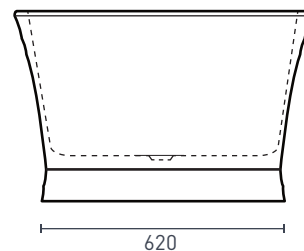
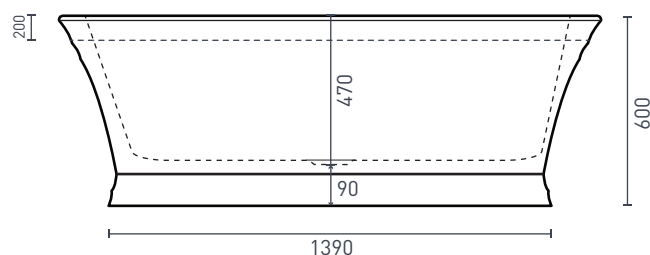
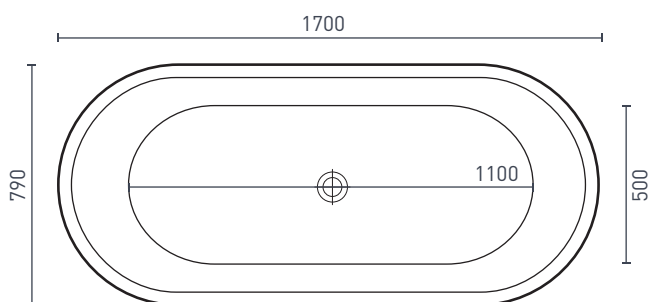
- AS/NZ Standard 2023:1995
- Adjustable self-supporting feet
- Lumbar support
- Suitable for dual bathing

## PRODUCT SPECIFICATIONS

Colour:	High gloss white
Material:	Premium sanitary grade acrylic
Length:	1700mm
Width:	790mm
Height:	600mm
Capacity:	250L [200mm below the bath rim]
Bath Type:	Freestanding
Waste Position:	Centre
Net Weight:	57kg
Warranty:	10 years* (refer to <a href="http://decina.com.au">decina.com.au</a> )

## OPTIONAL ACCESSORIES

- 40mm Removable Pop-up Waste *Chrome* **WA001**  
*White Gloss* **WA002**, *Black Matte* **WA003**
- Pop-up Waste & Overflow Kit *Chrome* **OWA001**
- Pop-down Waste & Overflow Kit *Chrome* **OWA002**
- Pop-down Waste & Overflow Kit *Black* **OWA003**
- Flexible Bath Connector with Pop-up Waste *Chrome* **OWA004**
- Flexible Bath Connector *Cap & Lining only* **OWA005**
- Sia Headrest *Black Curved* **SY242-B**



**DECINA**  
DISCOVER INDULGENCE

[DECINA.COM.AU](http://DECINA.COM.AU) 1300 DECINA

\*Warranty T&Cs apply, visit [decina.com.au](http://decina.com.au) Decina reserves the right to change specifications without notice. Due to manufacturing tolerances dimensions may vary +/- 5mm. We recommend installation does not start until after delivery. Please confirm all particulars prior to purchase, call 1300 DECINA or visit [decina.com.au](http://decina.com.au)