

VIPER



Backed by 5 Years
Parts & Labour



Durable & Tough



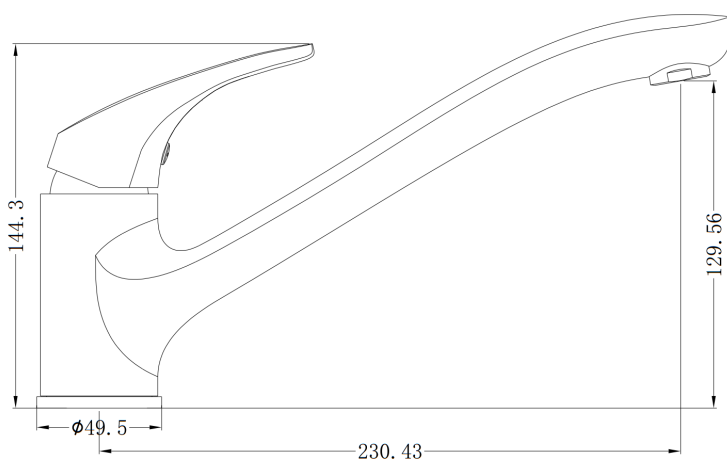
Dirt Stopper Filtered
PEX No Burst Hoses



European Quality
Cartridge



Quality Designer
Aerator



Technical Information

- DR Brass Construction
- Solid Cast Spout
- Not Recommended on Gravity-Fed Hot Water
- Recommended Pressure Range 350-500KPA
- Max Continuous Working Pressure 1000KPA
- Max Continuous Working Temperature 80° C

Features

- Ceramic Disc Cartridge Mechanism
- Polish Chrome Finish
- Swivel Spout
- European KEROX Cartridge
- NO Burst PEX Hoses
- Designer Neoperl Aerator for even flow

Application

- Suites Kitchen, Bar, Laundry

Standards

- WELS 5 Star 6LPM
- WaterMark Approved

Code

1631674

