






Elgin Kitchen Mixer

Finish & SKU

 Chrome NR231407CH	 Brushed Nickel NR231407BN
 Matte Black NR231407MB	 Brushed Gold NR231407BG
 Gun Metal NR231407GM	

Specifications

Watermark License

WM-060073

Temperature Rating

Min 1°C-Max 75°C

Pressure Rating

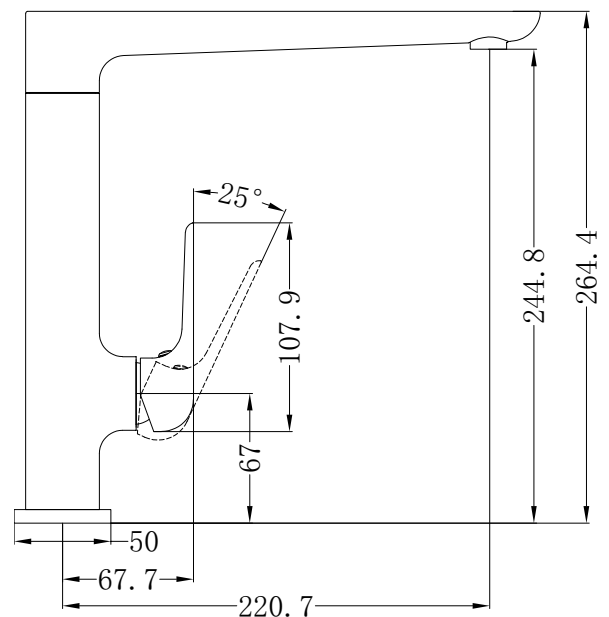
Min 150kpa-Max 500kpa

Features

- 25mm ceramic disc cartridge can be adjusted to control water temperature and flow control settings, saving energy
- Solid brass construction for longevity
- NEOPERL aerator with slim stream flow director
- Polyamide PEX flexible hose - 1/2 BSP female
- Suitable for mains pressure installation



Lead Free



Maintenance And Care

- Regularly check the mixer and connections for signs of wear or leaks.
- Clean the tap with mild soapy water to maintain its appearance, avoiding harsh chemicals and abrasive materials that may damage the finish.

- Dimensions are nominal measurements only.