



**COLBY
PREMIUM RANGE**

COLBY PREMIUM RANGE



**LAZER EDGE
(NOT ROLLED),
SNUG FIT TO BENCHTOP**



TOP INSET MOUNT

RIGHT HAND BOWL 1200MM
MODEL PICTURED



UNDERMOUNT

LEFT HAND BOWL 1120MM
MODEL PICTURED

COLBY PREMIUM RANGE



LHB 1629228
RHB 1629229

ONE TAP HOLE
800MM WIDE



LHB 1629230
RHB 1629231

ONE TAP HOLE
1000MM WIDE



LHB 1629232
RHB 1629233

ONE TAP HOLE
1120MM WIDE



LHB 1629234
RHB 1629235

ONE TAP HOLE
1200MM WIDE

TAP HOLE LANDING AREA IS ONLY 50MM WIDE
DUE TO LARGE BOWLS



1656900
NO TAP HOLE

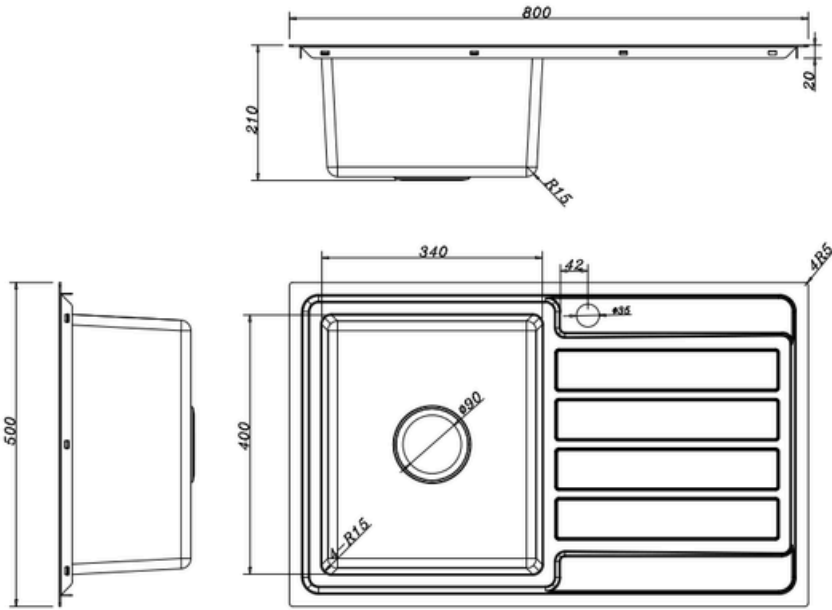
REVERSIBLE, LH OR RH BOWL
1200MM WIDE

TAP MUST BE POSITIONED IN BENCHTOP OR
FROM WALL

- ALL CAN BE INSTALLED EITHER UNDERMOUNT OR TOP MOUNT
- SS304 1MM THICKNESS
- HANDMADE BOWL

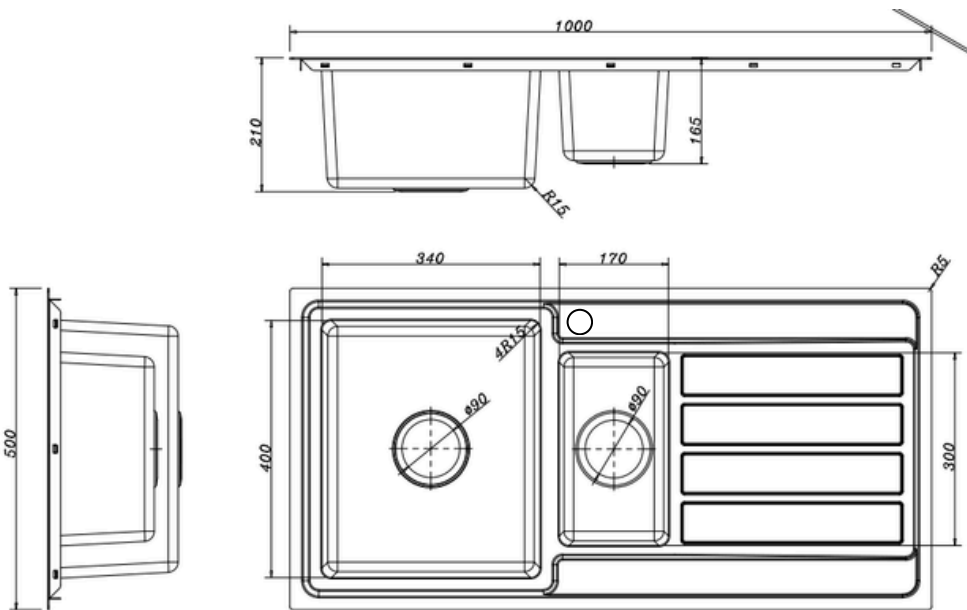
- EASY TO CLEAN R15 DEGREE BOWL CORNERS
- ALL MODELS COME WITH LEFT OR RIGHT HAND BOWLS
- INDIVIDUAL CARTON PACKAGED

COLBY



LHB 1629228 RHB 1629229
SINGLE BOWL

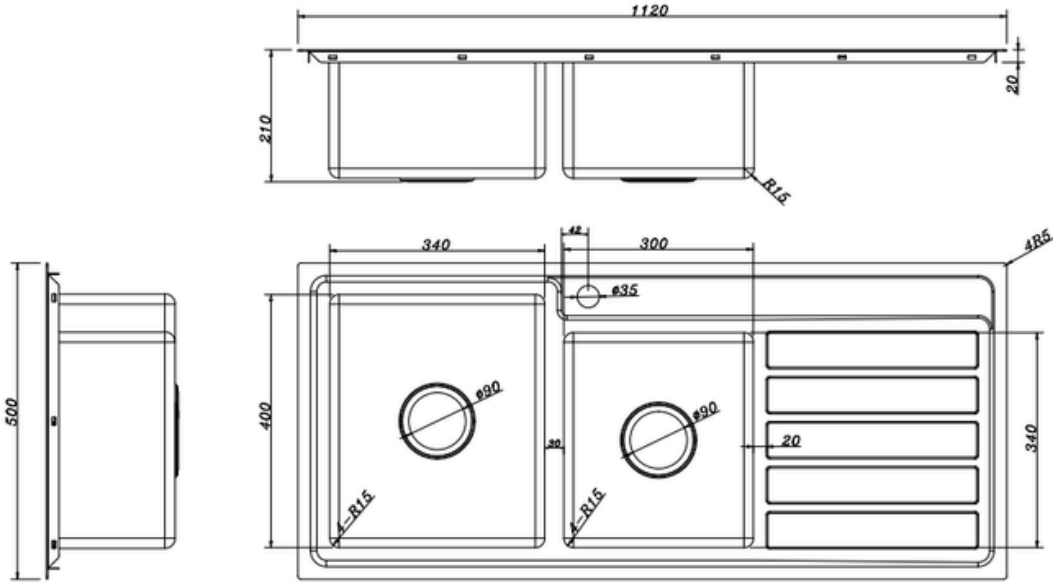
800mmL x 500mmW x 200mm BOWL DEPTH



LHB 1629230 RHB 1629231
1&1/4 BOWL

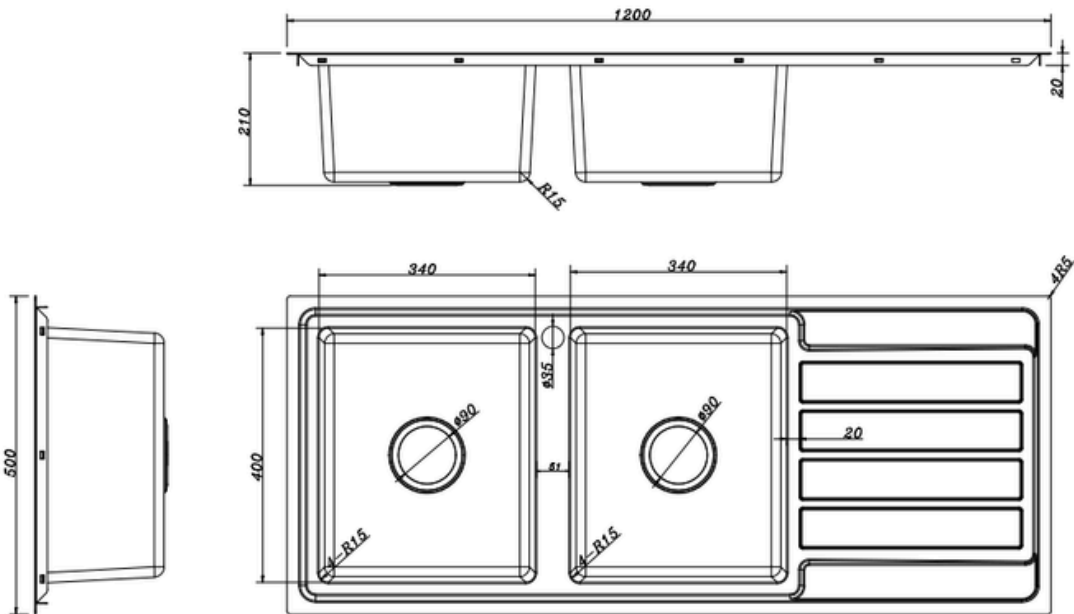
1000mmL x 500mmW x 200/150mm BOWL DEPTH

COLBY



LHB 1629232 RHB 1629233
18&3/4 BOWL

1120mmL x 500mmW x 200/150mm BOWL DEPTH



LHB 1629234 RHB 1629235
ONE TAP HOLE

NOTE: TAP HOLE LANDING AREA IS 50MM

1656900
NO TAP HOLE

REVERSIBLE, LH OR RH BOWL